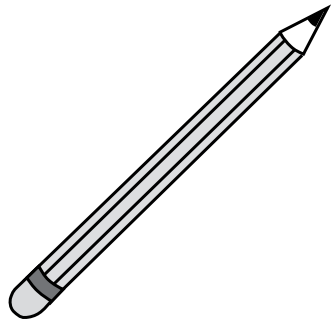


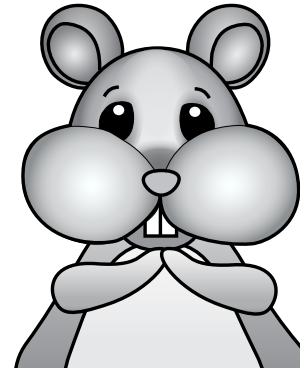
# WHICH WORDS DESCRIBE EACH ITEM?

PENCIL



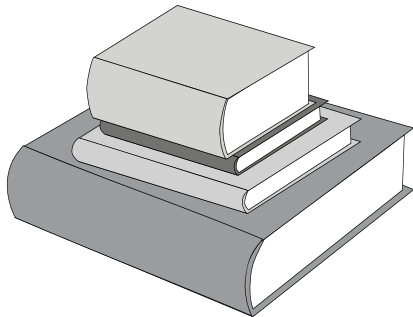
- a) heavy
- b) light
- c) hard
- d) soft

HAMSTER



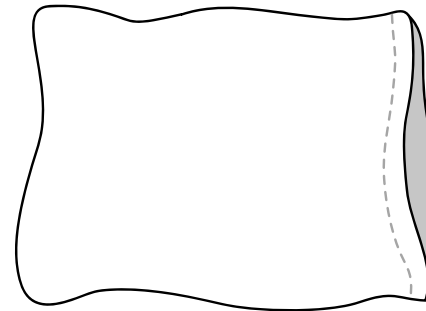
- a) heavy
- b) light
- c) hard
- d) soft

STACK OF BOOKS



- a) heavy
- b) light
- c) hard
- d) soft

PILLOW



- a) heavy
- b) light
- c) hard
- d) soft